



Smart LED Test Tweezers

Multifunction Tester

LED testing
Switches
Circuitry
Fuses



Smart LED Test Tweezers



SIBORG
SYSTEMS INC




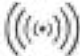


Multifunction Test Tweezers

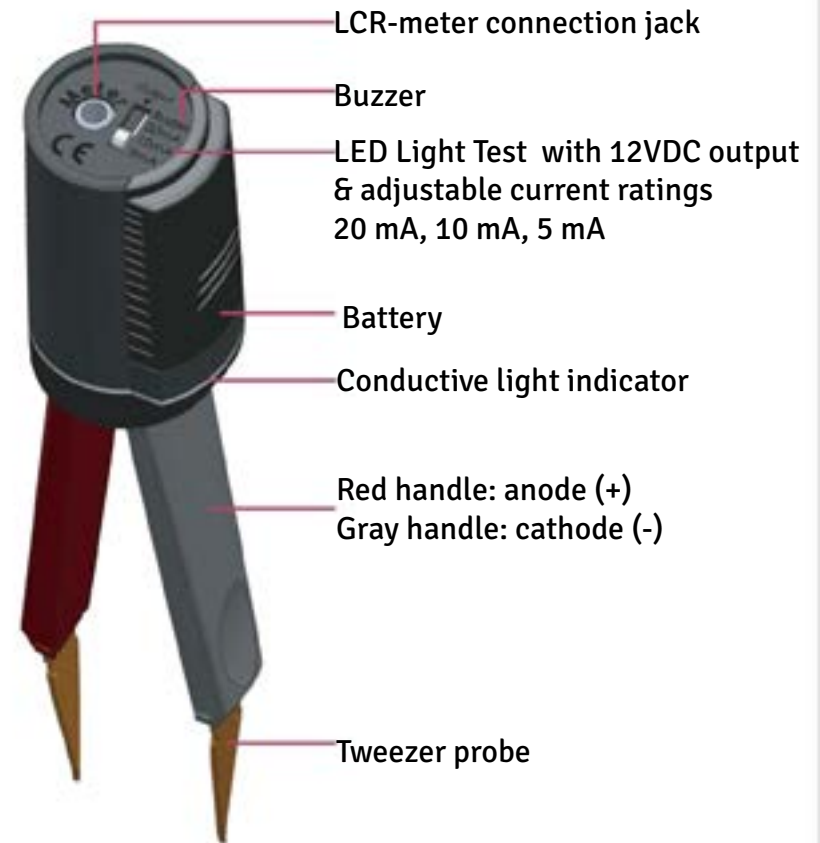
Features

Smart LED Test Tweezers are able to make quick work of testing and troubleshooting components, such as LEDs, switches, fuses, circuits, wire connections, etc.

Connecting Smart LED Test Tweezers with an LCR-meter using the special connector cable to use the device as LCR-meter tweezer probes.

A buzzer can be set to sound when the device is in contact with a component.

- | | |
|--|---|
|  LED light test |  Fuse open & short check |
|  SMD or Small component testing |  Conductive buzzer |
|  Multimeter connection becomes SMD probe clip |  PCB circuit testing |



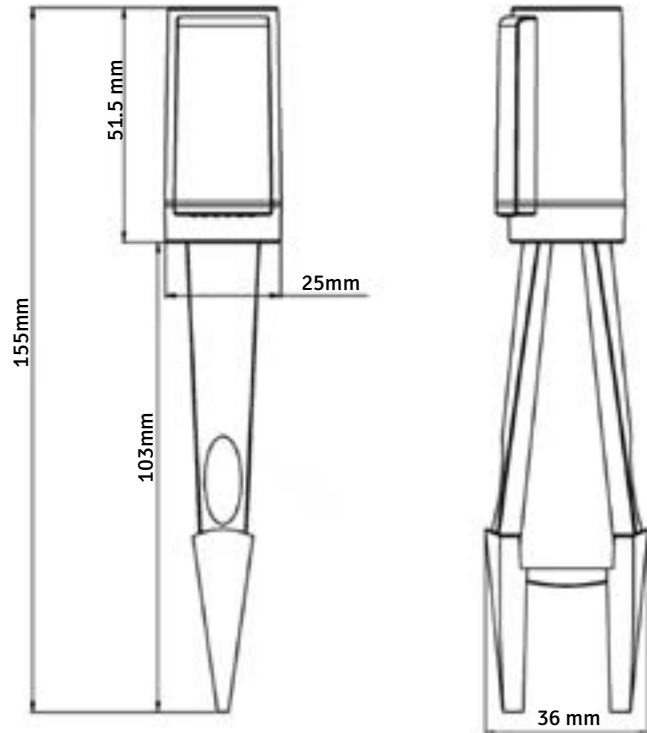
Warning: Do Not Test Electrified Components

Smart LED Test Tweezers



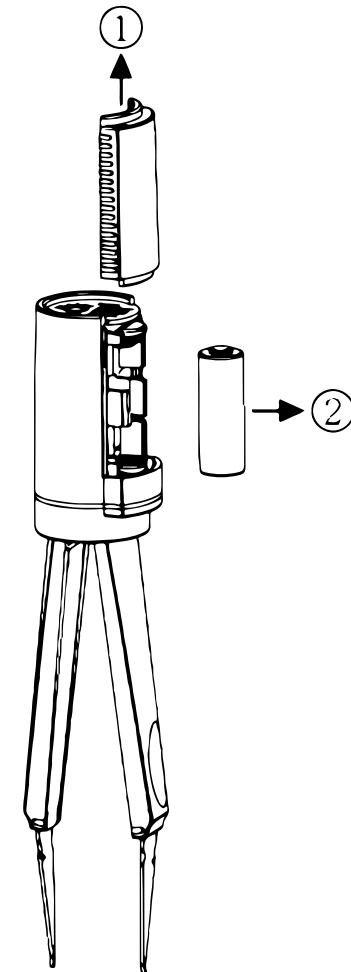
Multifunction Test Tweezers

Dimensions



Changing the Battery

1. Slide top cover off
2. Replace battery (23AE 12V)
3. Replace top cover



General Specifications

| | |
|-------------|-----------------------|
| Model: | LED Tweezers |
| Weight: | 50 g |
| Material: | ABS - Phosphor Bronze |
| Dimensions: | 36x25x155mm |
| Battery: | 23AE 12V |